

USER MANUAL



FUNTEC

BASESPORT.se
VI ÄR BEACHVOLLEY

ORDETELEFON: 0346-800 30

BEACH VOLLEYBALL POSTS

PRO BEACH



USER MANUAL FOR BEACH VOLLEYBALL POSTS PRO BEACH



GENERAL INFORMATION



FREESTANDING
INSTALLATION WITH
SQUARE TIMBER BEAMS

ID: 111206

WITH CITY BEACH SOCKETS

NET INSTALLATION + COURTLINE

SPARE PARTS

GENERAL INFORMATION

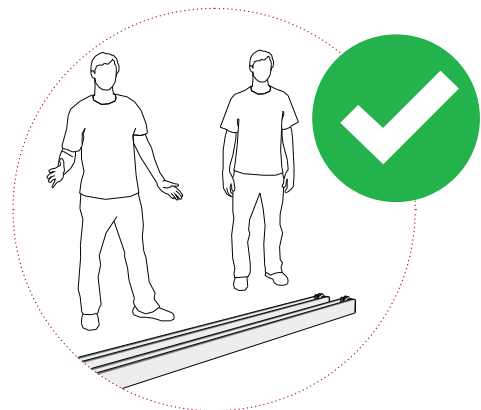
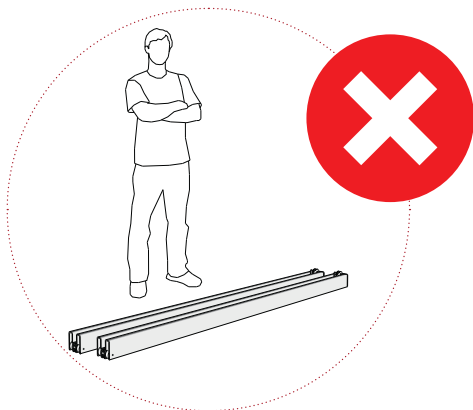
PLEASE READ CAREFULLY BEFORE ASSEMBLY OR USE
AND RETAIN FOR FUTURE USE

Security advice

- This product has been developed for use at competitions and at top-class sports.
- This product must be used in accordance with its designated use which is Volleyball or similar sports.
- Before using this product make sure it has been installed properly and all supports or fittings are firmly tightened.
- This product corresponds with DIN 33957:2012-04 and it has been developed in accordance with DIN EN 1271:2015-01.
- In case the posts have been removed from the sockets please make sure to cover any remaining parts in a way that players won't get injured.

Assembly instructions

- This product has to be assembled with due care by an adult person. We recommend to call upon the help of a second person.
- For this product a level ground is required with the dimensions of at least 14 x 22 m (for the leisure sports) or 18 x 26 m (for competition sports).
- Depending on the way of floor mounting it is required to create foundations according to instructions from this manual.
- Please take no unnecessary risks while handling the equipment and be careful when assembling this product.



Maintenance and care

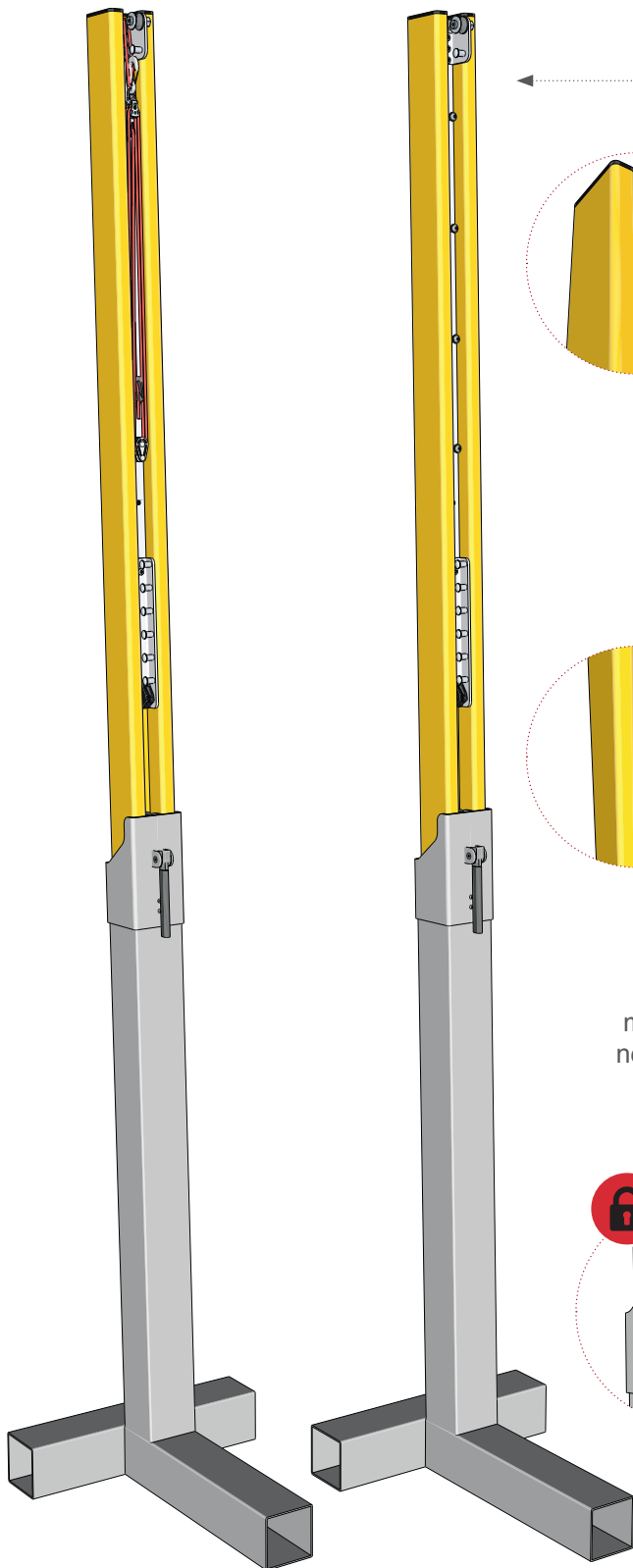
- This product does not require regular maintenance work. However, we recommend to check all components for damages or deformation regularly. Any damaged parts should be replaced as soon as possible.
- To clean this product, use water and soap avoiding all types of solvents or alcohol. Do not use dirty or abrasive cloths.
- Store in a dry place, ideally at a temperature of 10° C to 25° C.

BEACH VOLLEYBALL POSTS PRO BEACH

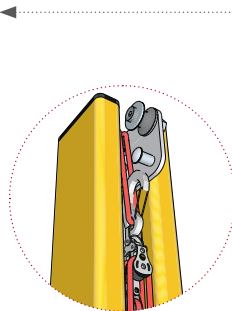
ID: 111206 - WITH FREESTANDING SOCKETS



FREESTANDING INSTALLATION WITH SQUARE TIMBER BEAMS



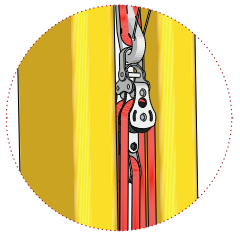
Pro Beach net posts made from powdercoated special aluminium profile (91 x 91 mm), telescopic height adjustment with special socket adapters



Single-arm suspension, allows easy mounting of net tension cable

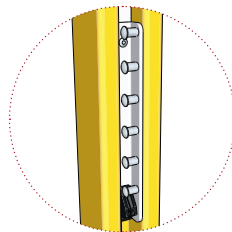
Rope pulley with triple block combination including a stainless steel carabiner with wire gate (for one-handed use)

Pulley block system is self-balancing to pulling direction

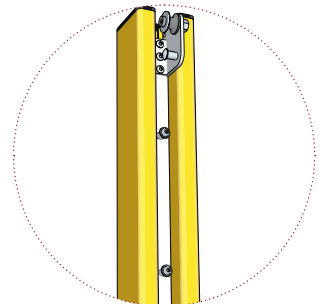


Open tensioning console with horizontal pins for best choice of net cord angle

Includes an additional clamcleat below for comfortable fine adjustment of tensioning ropes

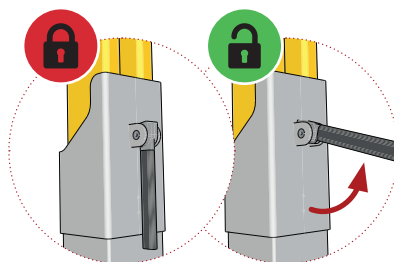


Tensioning counter slider with four mounting pins, ideal for choosing the best net pre-tension with differing cable lengths



Pro Beach sockets with easy-to-use locking lever

Maximum operation comfort with exact lever position (open/closed)



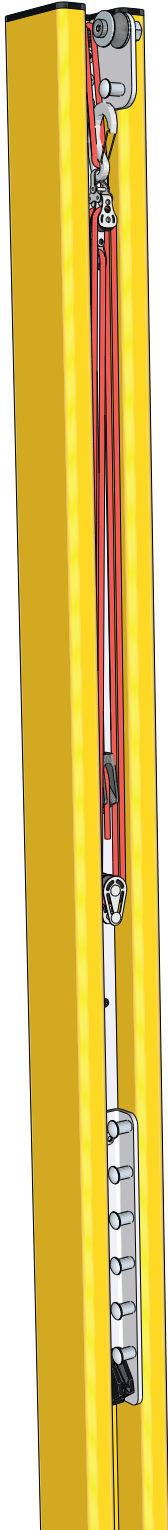
Sockets with T-base for a freestanding installation with square timbers

SCOPE OF DELIVERY

ID: 111206

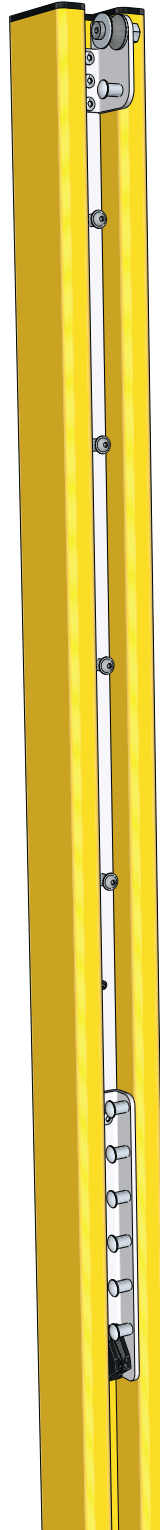


Net post with
tackle tensioning slider



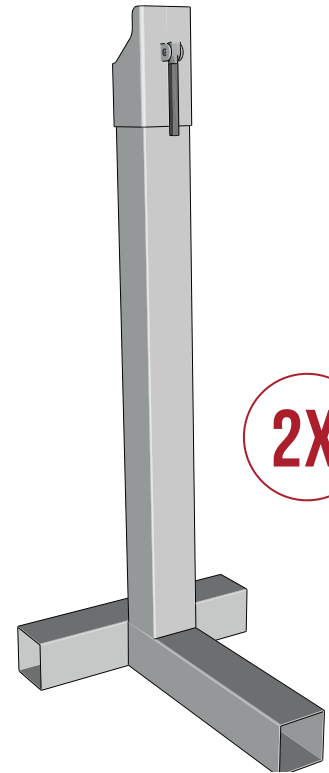
1X

Net post with
tensioning counter slider



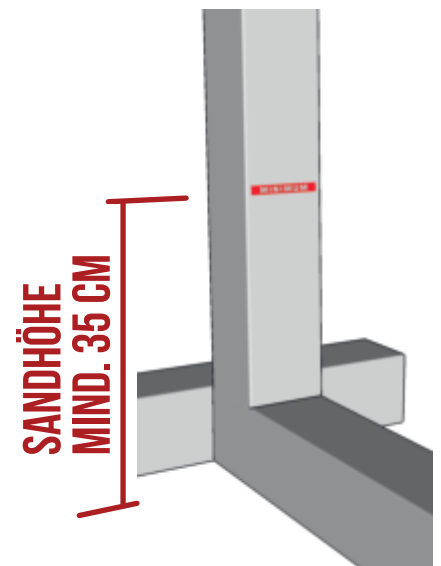
1X

Pro Beach socket
with T-Base



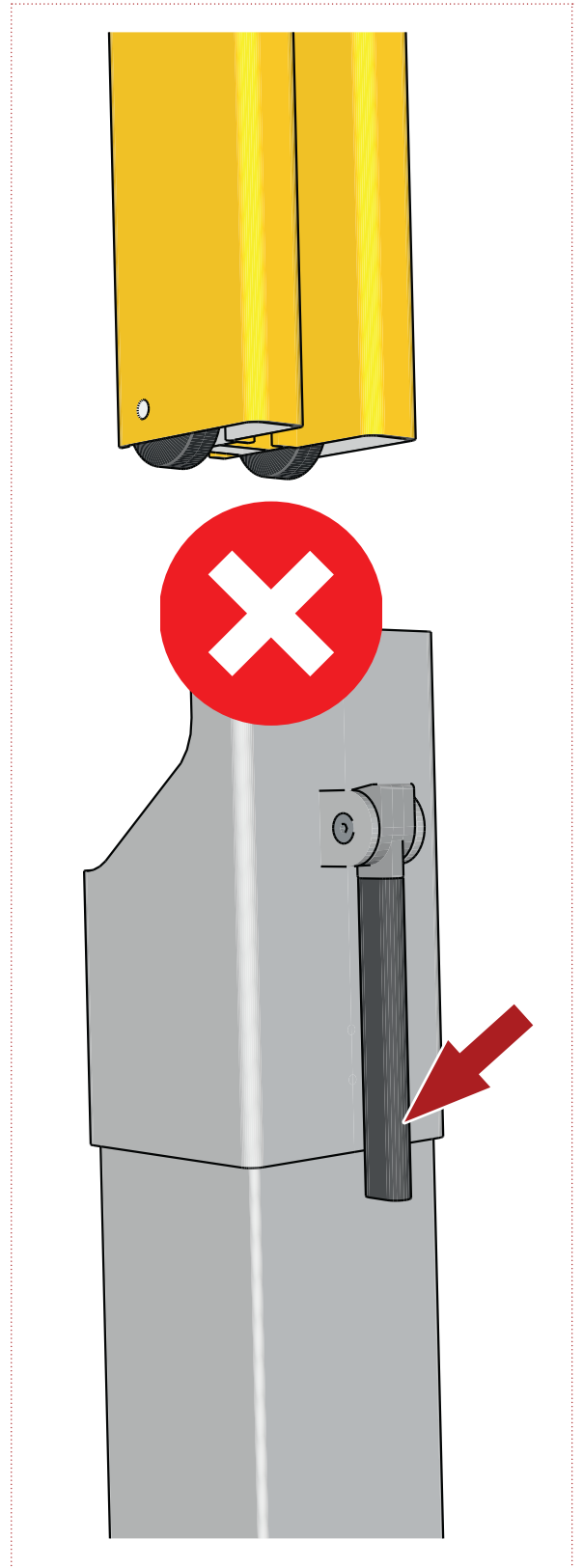
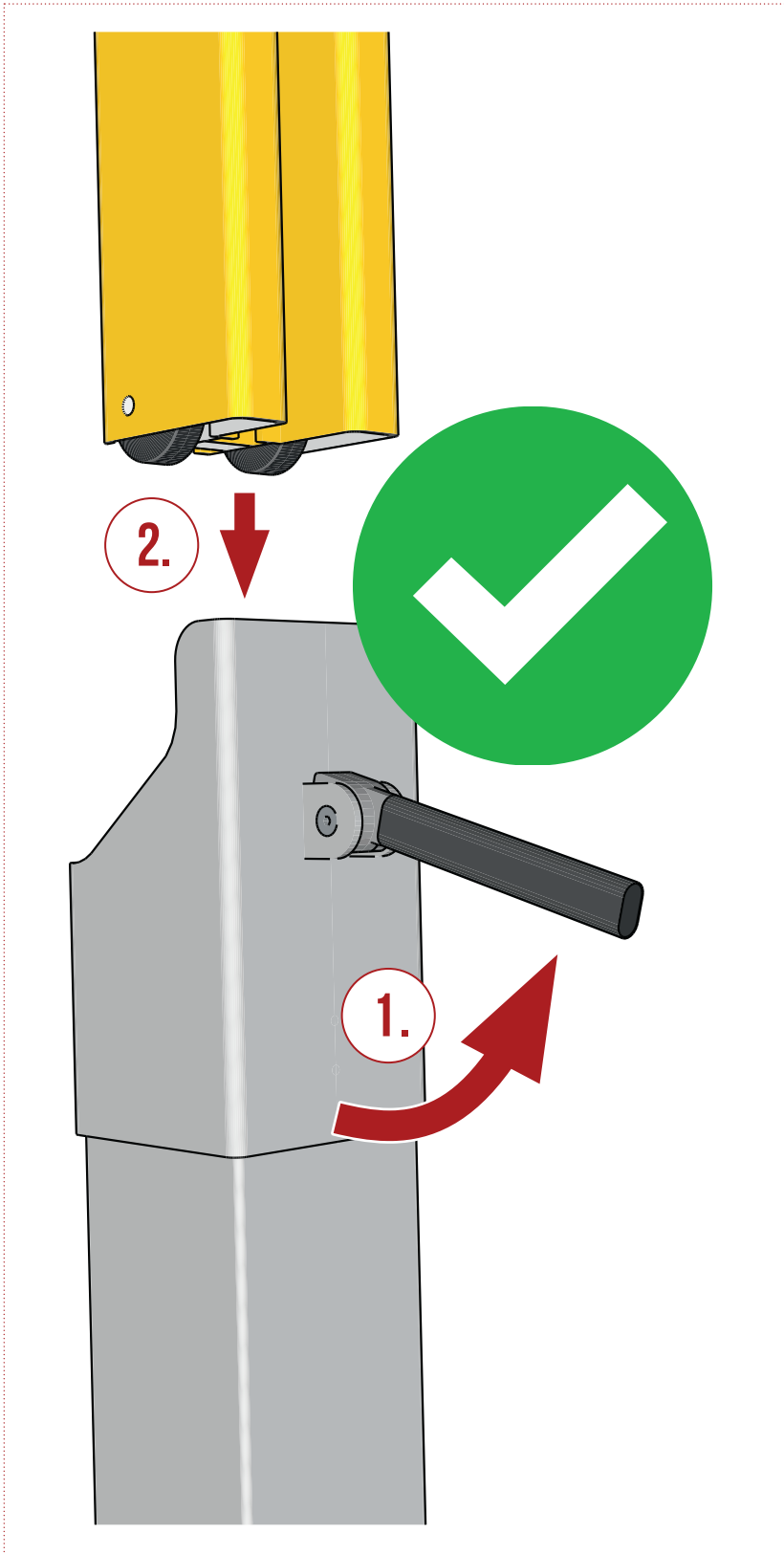
2X

Minimum sand level **35 cm**



SANDHÖHE
MIND. 35 CM

IMPORTANT NOTICE!





GROUND INSTALLATION FOR ID: 111206

General information on building a Beach Volleyball court with City Beach sockets:

When building a sand court we suggest to fill up the sand first of all. Afterwards you can just dig in the City Beach ground sockets and set up the net system.

We consider a permanent sand level of 40-50 cm as ideal. It is recommended to fill up the sand a little bit higher at the centres of the playing field halves. It will be moved away towards the court surrounds by the players. Please make sure to create a minimum sand level of 35 cm around the ground sockets for this installation option.

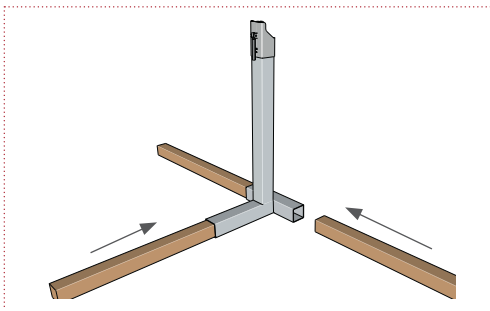
Example: Approximately 250 tons sand are required for a sand court with 14 x 22 m dimensions (for leisure sports) and a sand level of approximately 45 cm. Calculation: volume in m³ x density factor (e.g.: 1,8 - depending on the grain size and the sand quality).

MINIMUM SAND LEVEL: 35 CM

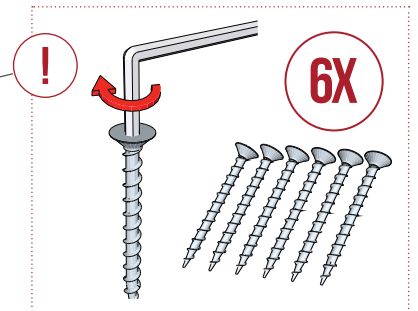
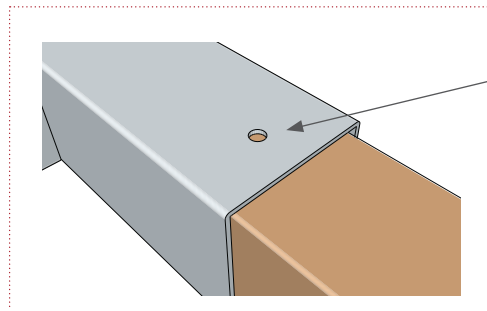
Required for assembly:

Pressure-treated square timbers, 6 pieces, each 1500 x 88 x 88 mm (maximum dimensions: 1500 x 90 x 90 mm), suitable for permanent ground contact

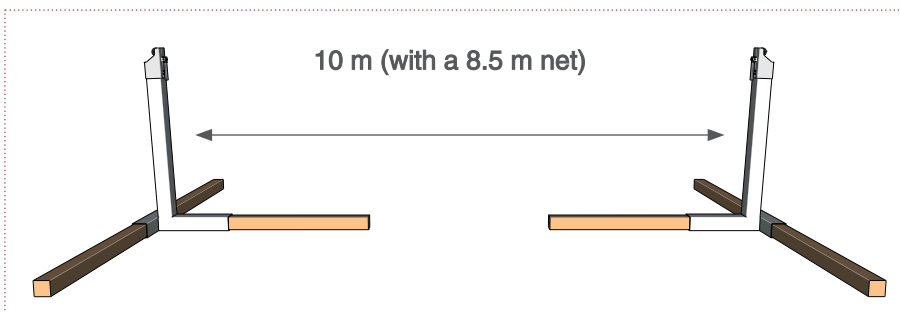
Insert square timbers into T-base



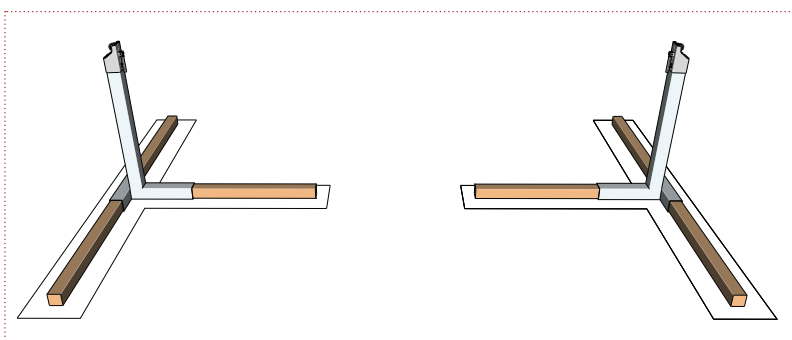
Secure with suitable screws



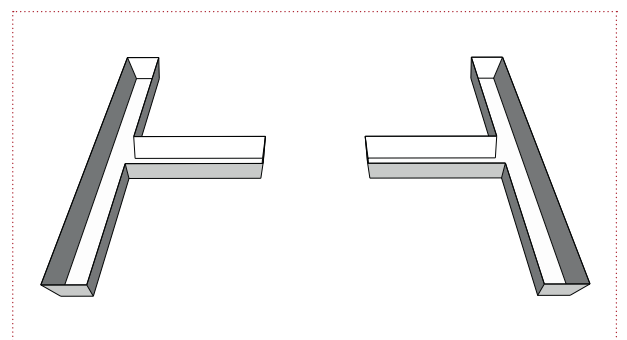
Set into position: ground sockets together with inserted square timbers



Mark the outline of the square timbers



Make excavations according to outlines



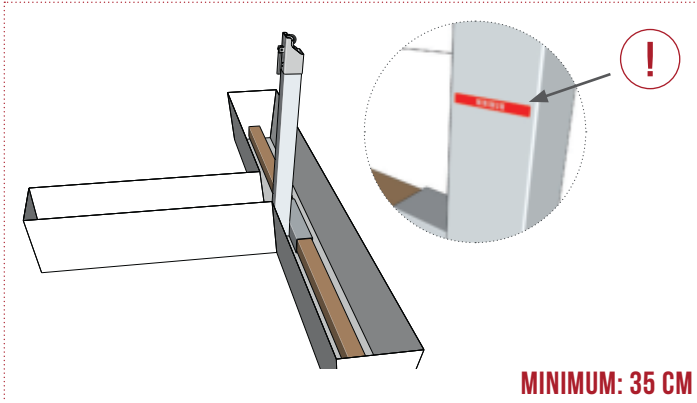


FREESTANDING INSTALLATION WITH SQUARE TIMBER BEAMS

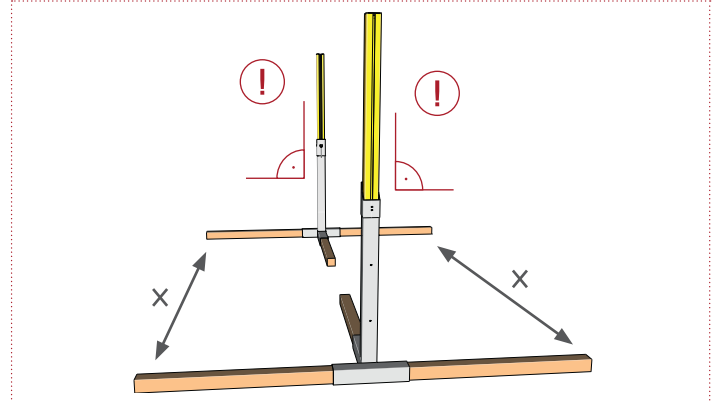


GROUND INSTALLATION FOR ID: 111206

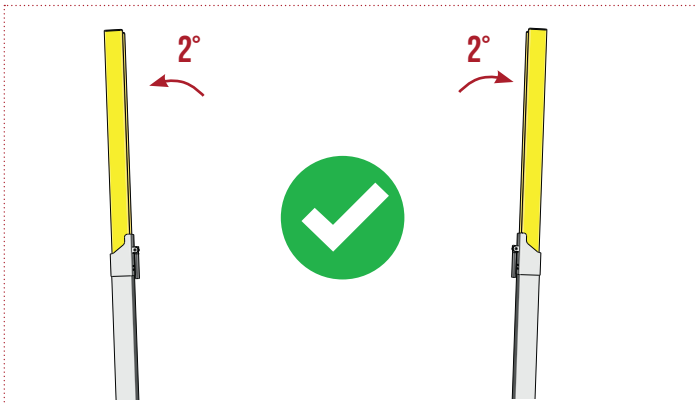
Set ground sockets with timbers into excavation; be careful not to step onto the borders of the excavation



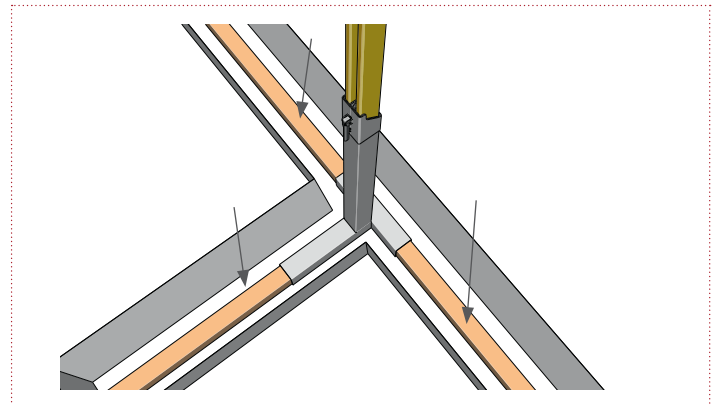
Align the sockets with each other - inserting the net poles will be helpful



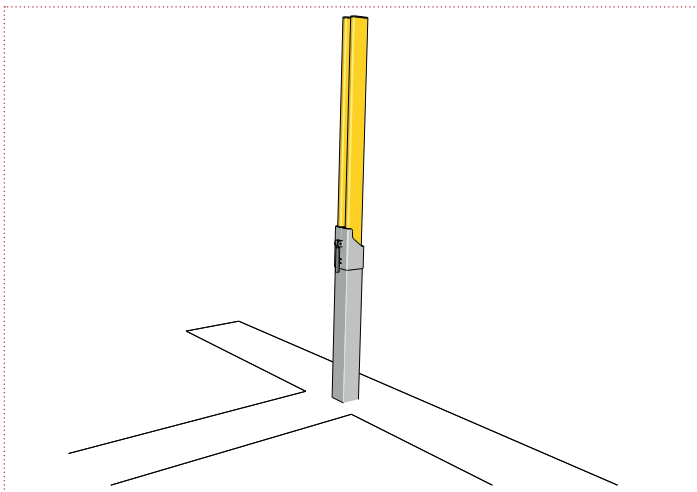
The sockets are designed with a 2° sloping angle to the outwards



Step on the timbers to press them firmly into the sand



Fill up the excavation
(Be careful not to move the timbers when doing this!)





FREESTANDING INSTALLATION WITH SQUARE TIMBER BEAMS



ACCESSORIES FOR ID: 111206 (SOLD SEPARATELY)

Square timber set
ID: 111232



1X

Pro Beach net PLUS, incl. net antennas PLUS
(2-piece, with velcro strap pockets), ID: 111601



1X



Pro Beach Courtline
ID: 111304



1X



Square-cut Beach Volley post pads (100 x 100 mm),
1 pair, ID: 111353

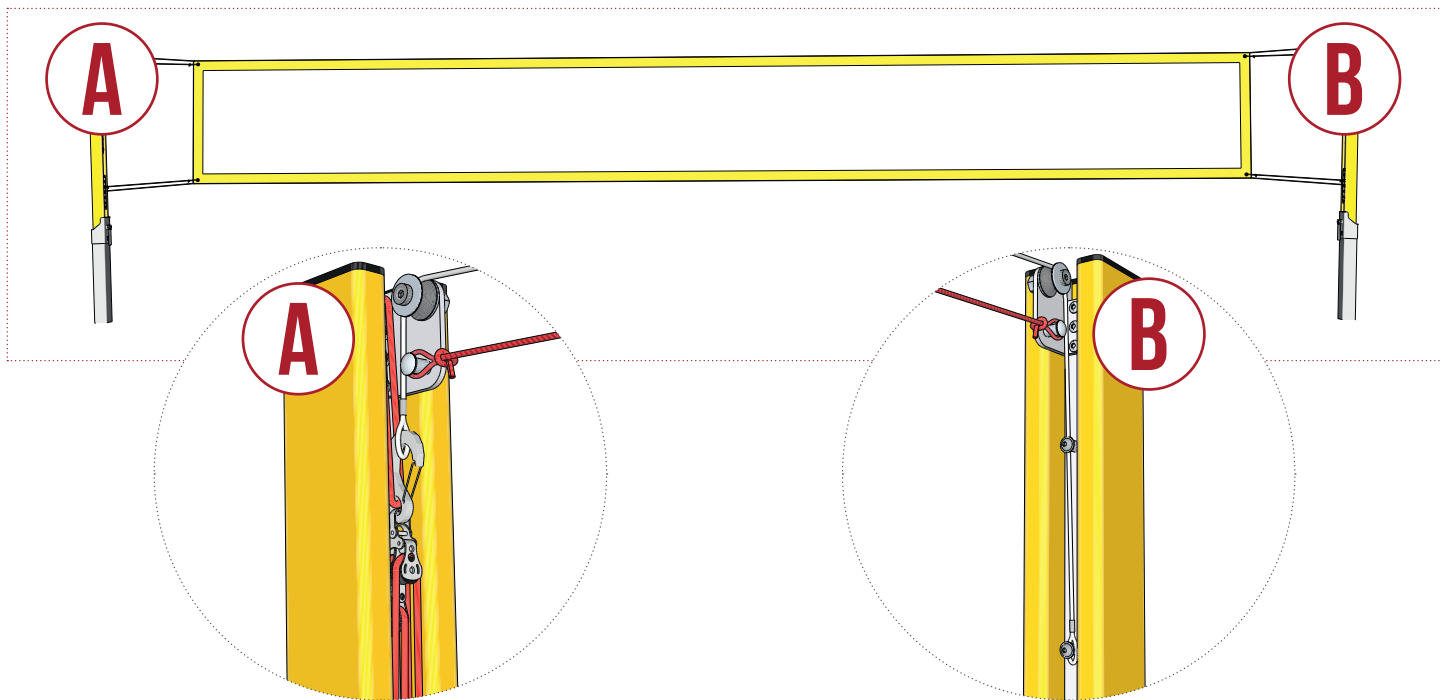


1X

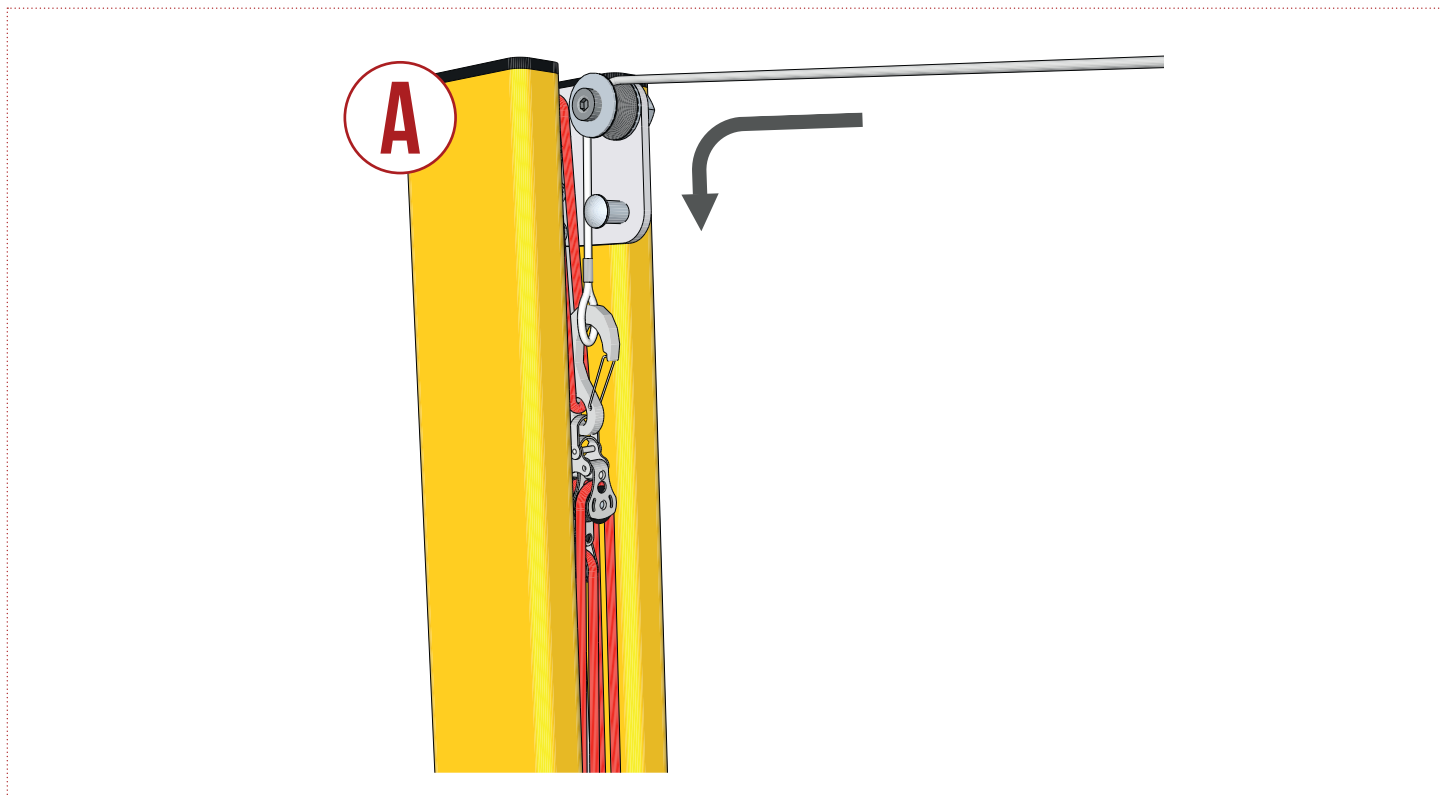


BEACH VOLLEYBALL POSTS PRO BEACH

NET INSTALLATION



Connect head band net cable to carabiner of tackle tensioning system



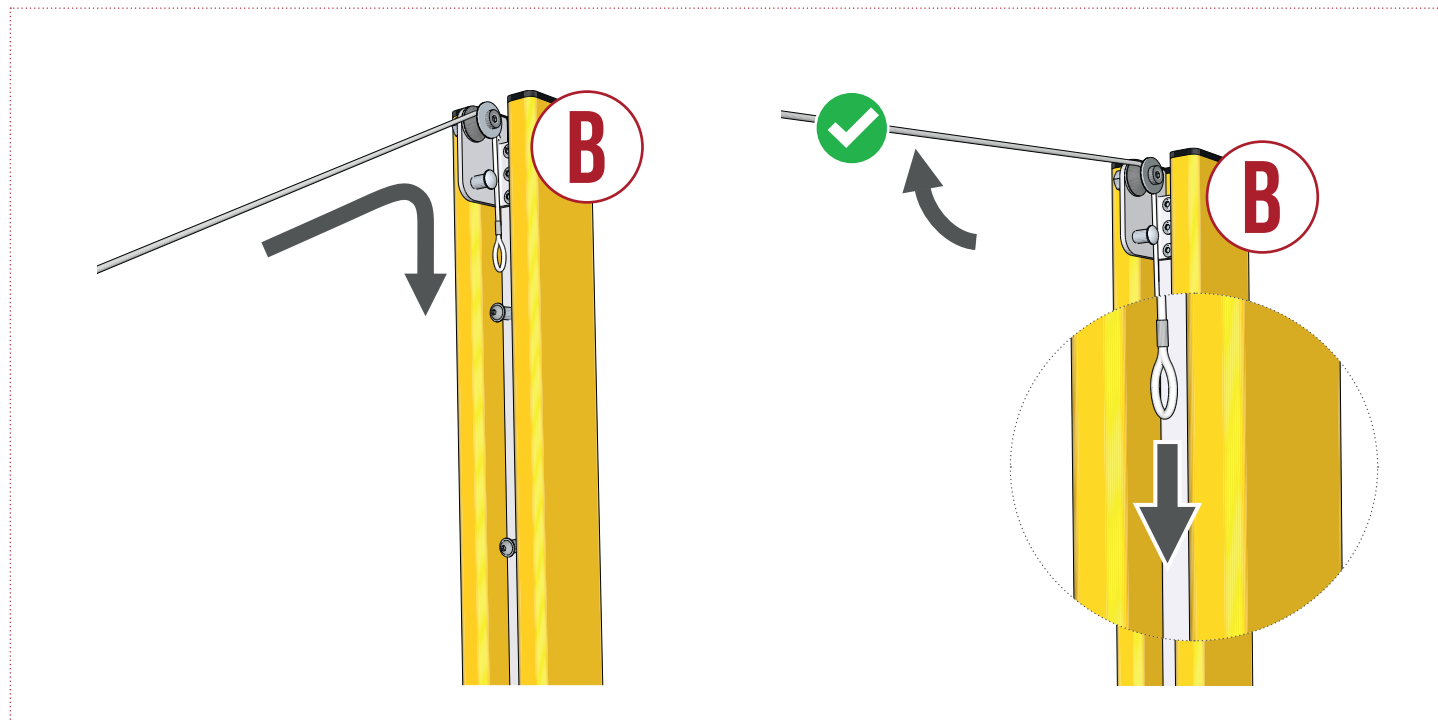
BEACH VOLLEYBALL POSTS PRO BEACH

NET INSTALLATION

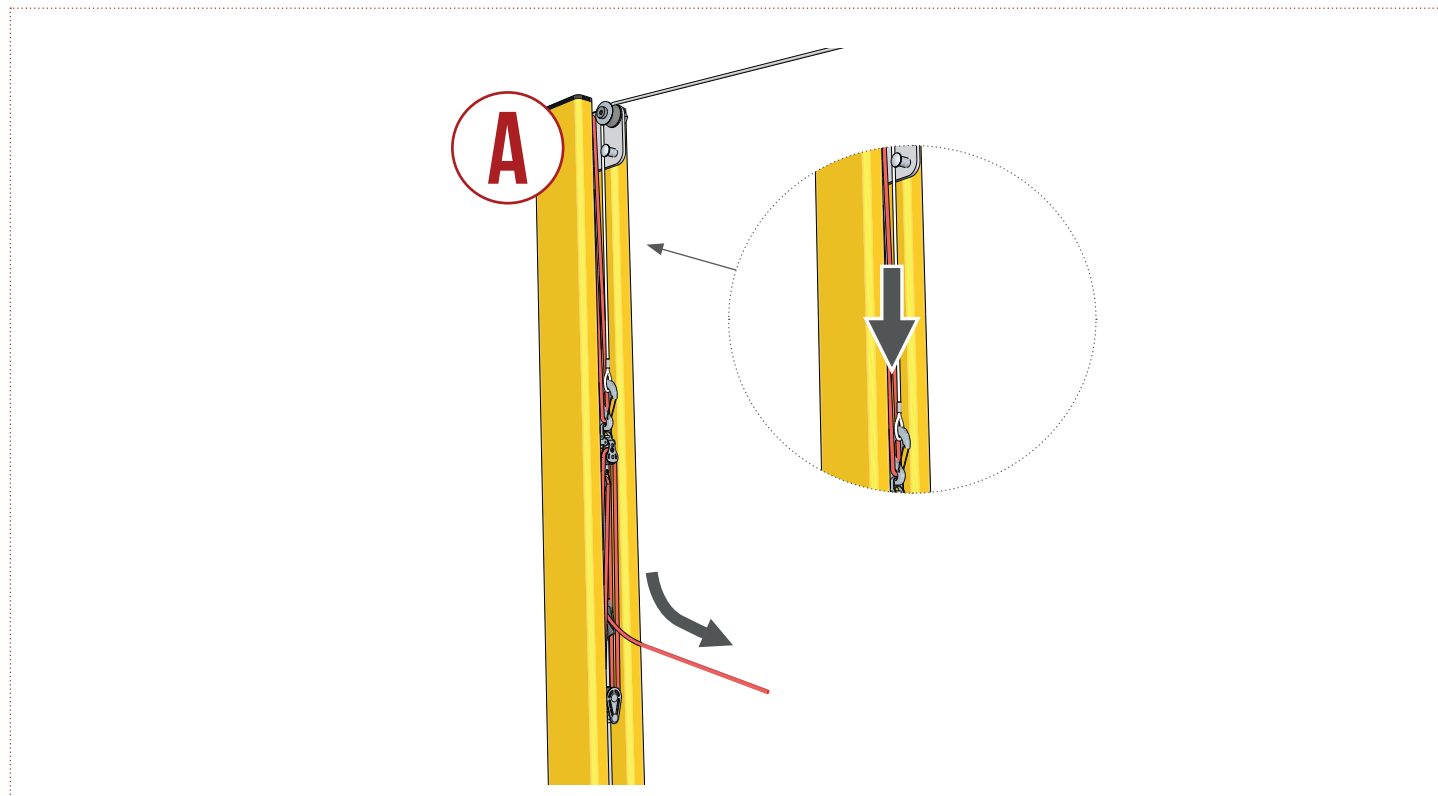


Install net cable to opposite side

Be sure to put on a good pre-tension



Pull the tackle rope to achieve the required net tension

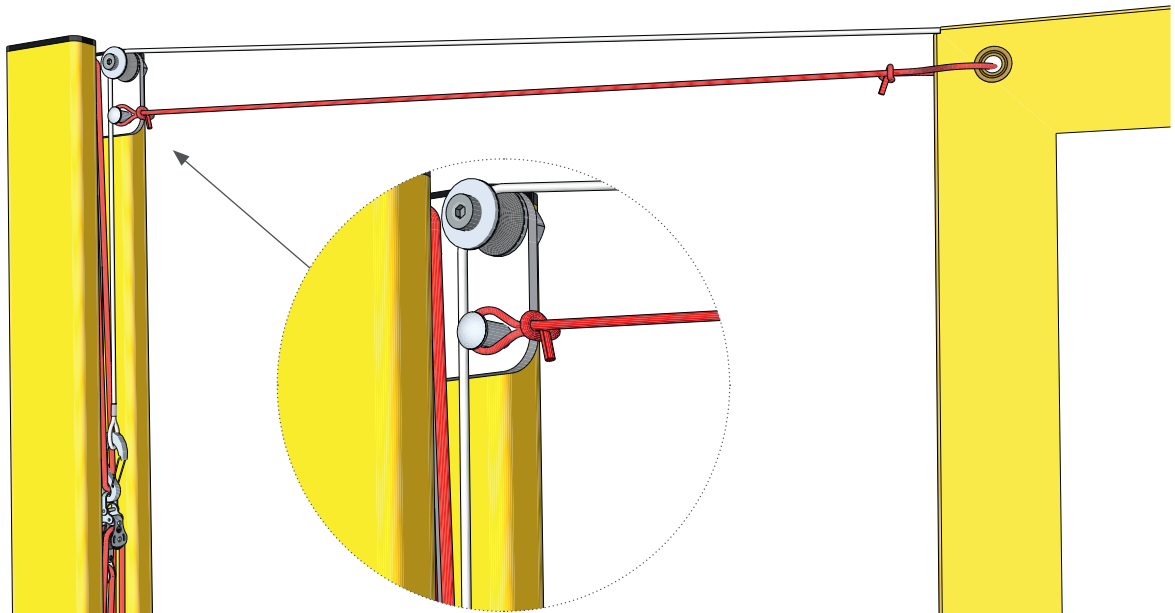


BEACH VOLLEYBALL POSTS PRO BEACH

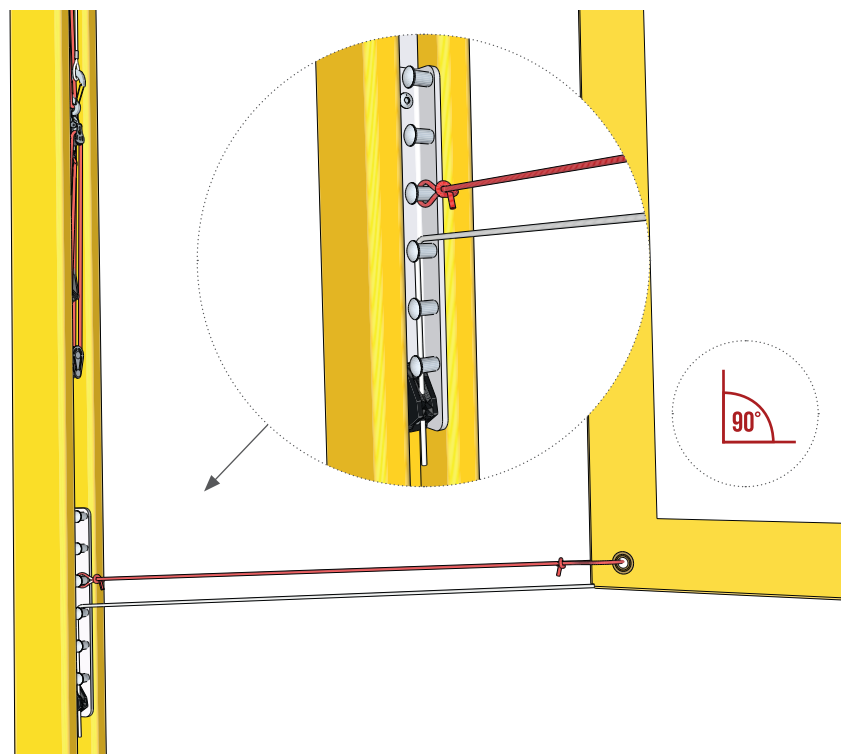
NET INSTALLATION



On each side: use red ropes to centre the net between the posts



On each side: tighten the bottom net cord and bring the net into a vertical position

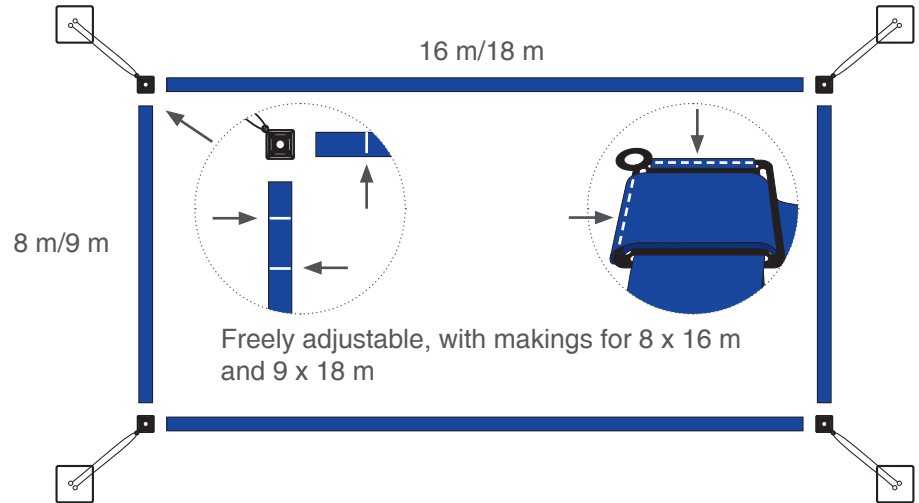
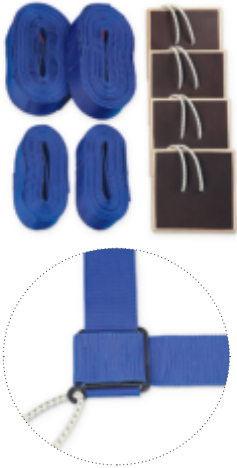


ASSEMBLY OF COURTLINE

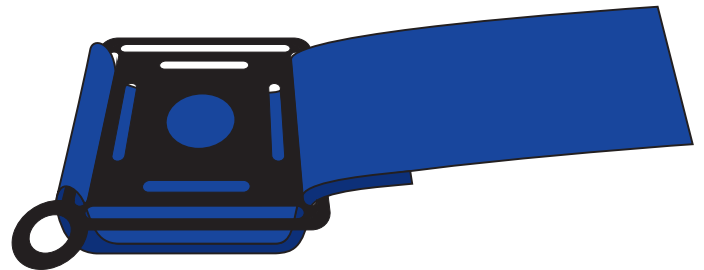
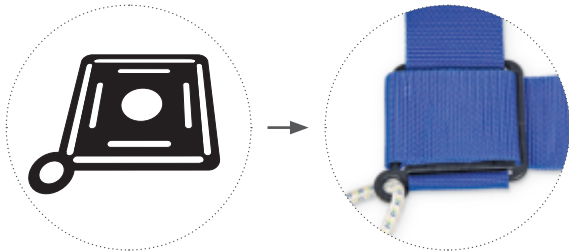
ID: 111304



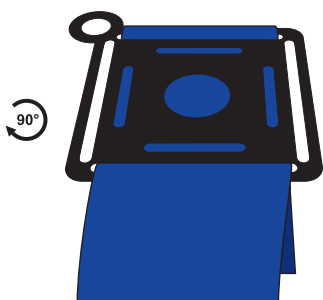
Pro Beach Courtline
ID: 111304



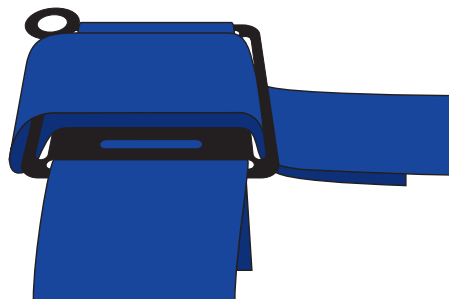
Thread strap through at the bottom side



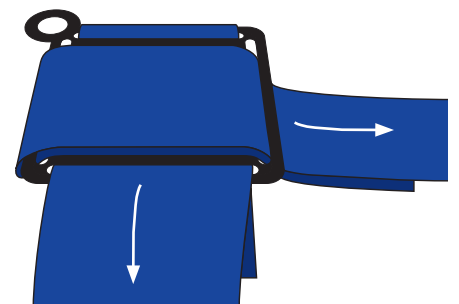
Turn by 90 degrees



Thread through at the top

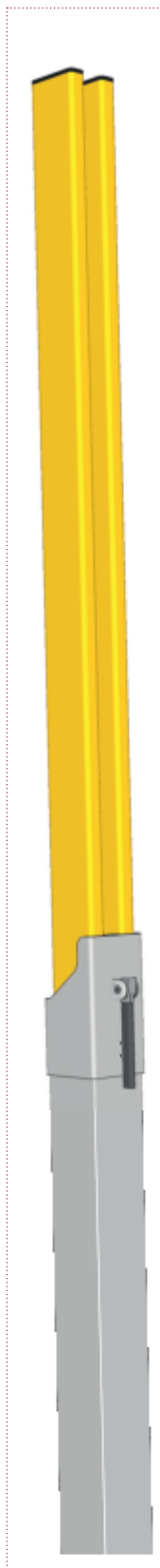


Tighten the straps



BEACH VOLLEYBALL POSTS PRO BEACH

SPARE PARTS



No.	Description	ID
1	Tackle tensioning slider for Pro Beach posts	206-200
2	Elastic cord, 8 mm diameter, colour: red	206-215
3	Top-block with stainless steel carabiner	206-217
4	Tackle tensioning cord, made from Polyester	206-218
5	Tensioning counter slider for Pro Beach posts	206-300

BEACH VOLLEYBALL POSTS PRO BEACH

EC DECLARATION OF CONFORMITY

According to the EU Machinery Directive 2006/42/EG, Annex I

we declare that the below described machines fulfil all relevant provisions of the EU Machinery Directive 2006/42/EG, Annex I. This declaration of EC conformity will become void if the machine is subject to any modification that has not been approved by us.

Manufacturer:

FUNTEC Sports GmbH
Löhestr. 25
53773 Hennef
GERMANY

Description and identification of the machine:

- Function: This machine is a Volleyball net post system for outdoor use. The main net post is being supplied together with a specially designed socket adapter that allows the post to slide up and down once the post has been inserted into the socket. The socket is equipped with an elastic cord that is being tensioned by the weight of the net post.
- Model: 111206 – Beach Volleyball posts Pro Beach (CB = City Beach), with freestanding sockets (for use with square timber beams)
- Model: 111205 – Beach Volleyball posts Pro Beach (BD = Bolt Down), with bolt-down sockets (for an installation on a concrete foundation)
- Model: 111204 – Beach Volleyball posts Pro Beach (S = Switch), with removable sockets

Applied harmonized standards:

- DIN 33957: Playing field equipment - Beach sports equipment - Requirements and test methods
- DIN EN 1271: Playing field equipment - Volleyball equipment - Functional and safety requirements, test methods; German version EN 1271:2014

Authorised representative for technical documentation:

Gregor Bornhoff – FUNTEC Sports GmbH, Löhestr. 25, 53773 Hennef

City/Date:

Hennef, 01.01.2020

Authorised representative:



Gregor Bornhoff (authorised representative)

FUNTEC